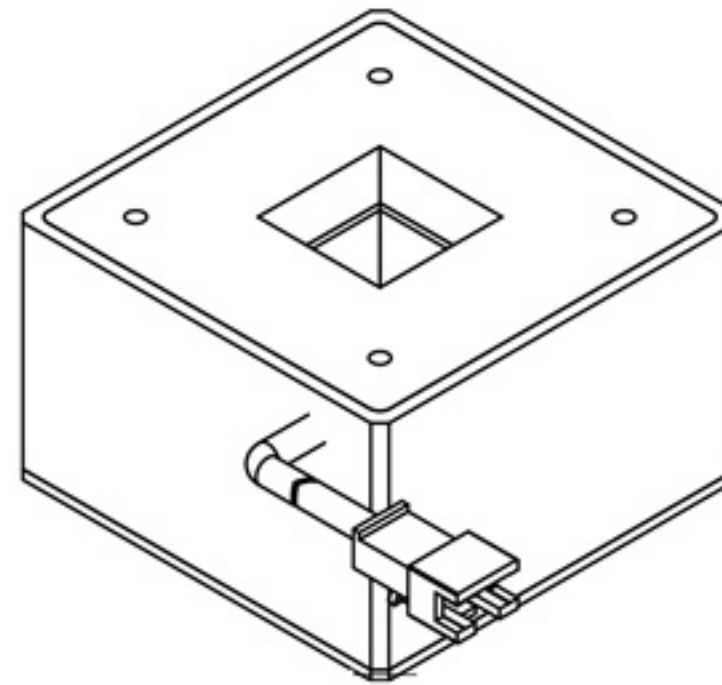
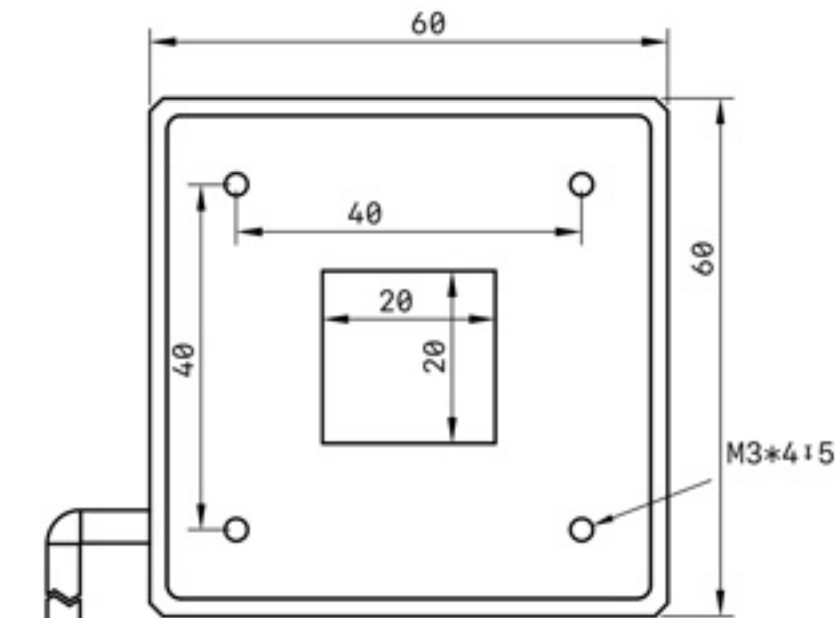


A-A



Details of Connector

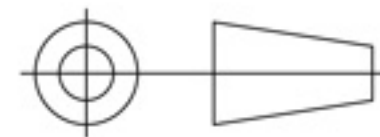



Pin1: + (Red)
Pin2: N/A
Pin3: - (Blue)

Connector Type: SMR-03V-B (Light Side)
SMP-03V-BC (Power Supply Side)

Specification:

MODEL	YL-FID60-20-W/-UV/-B/-G/-Y/-R/-IR850/-IR940
Wavelength (nm)	6500K (Color temperature) / 390/470/525/625/850/940
Power Supply	DC24V/5 (W)



Itemref	Quantity	Material: AL/ACRIL	ArticleNo./Reference	
			Filename YL-FID60-20	Scale 1/1
			YL-FID60-20	
			YL-FID60-20-0000	Edition VER1.0 Sheet 1