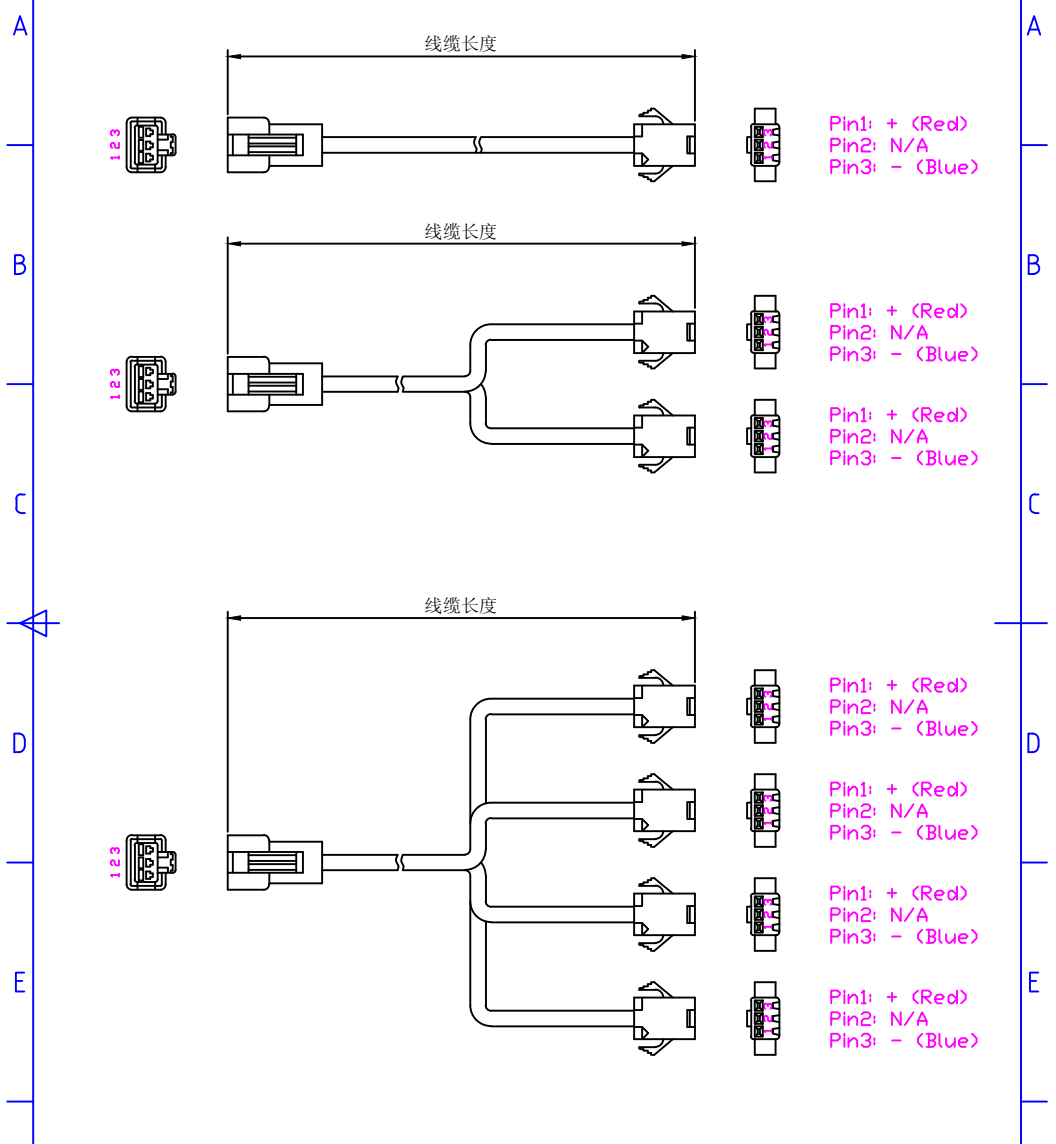


1	2	3	4
RevNo	Revision note	Date	Signature
			Checked



Itemref	Quantity	Material:	Article No./Reference	
Designed by DESIGNED_BY	Checked by CHECKED_BY	Approved by - date 2014-1-1	Filename	Date 2014-1-1
Scale 1/1		WAVECREST(SH)		
CB		延长线缆		
Edition VER.1.0		Sheet 1		