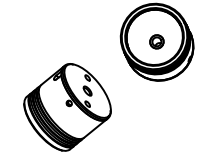
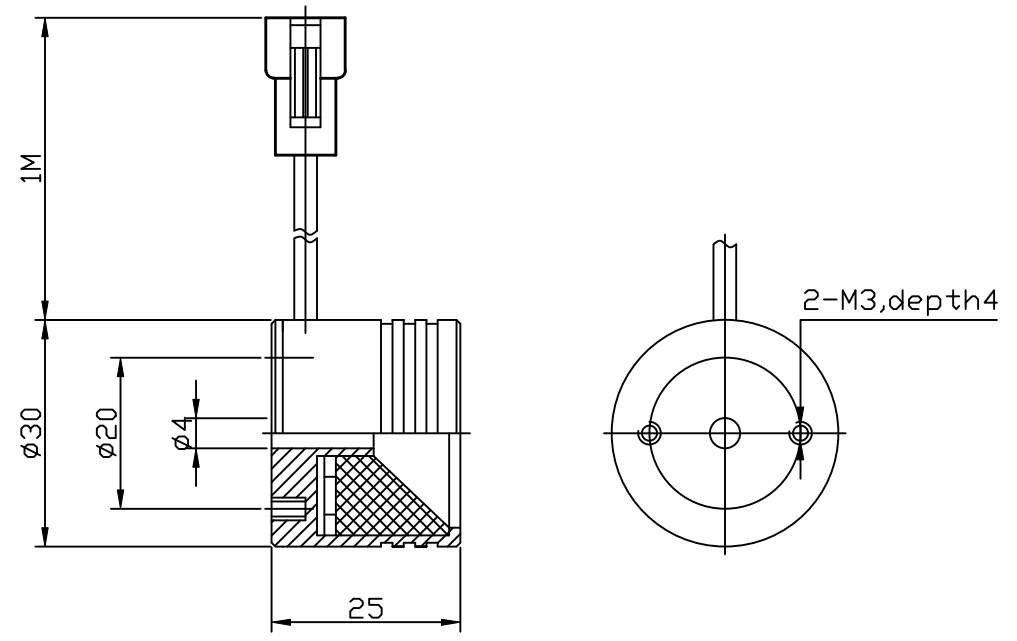
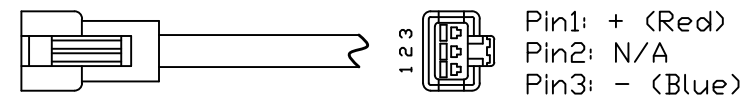


A
B
C
D
E
F

A
B
C
D
E
F



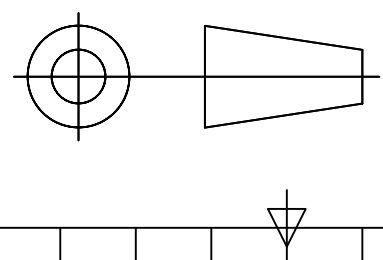
Details of Connector



Connector Type: SMR-03V-B (Light Side)
SMP-03V-BC (Power Supply Side)

Specification:

| | | |
|----------------|----------------------|---------------------|
| MODEL | WLFD2-30-W/-B/-G/-UV | -Y/-R/-IR850/-IR940 |
| Wavelength(nm) | 6500K/470/525/390 | 590/625/850/940 |
| Power Supply | DC24V/0.7(W) | DC24V/0.5(W) |
| Weight | 41g | |



| | | | | | |
|----------------------------|--------------------------|--------------------------------|-----------------------|--------------------|--------------|
| Itemref | Quantity | Material: AL | Article No./Reference | | |
| Designed by DESIGNED_BY | Checked by CHECKED_BY | Approved by - date 2014-1-1 | Filename WLFD2-30 | Date 2014-1-1 | Scale 1/1 |
| WAVECREST(SH) | | | WLFD2-30-USER | | |
| | | | WLFD2-30-0000 | Edition VER.1.0 | Sheet 1 |