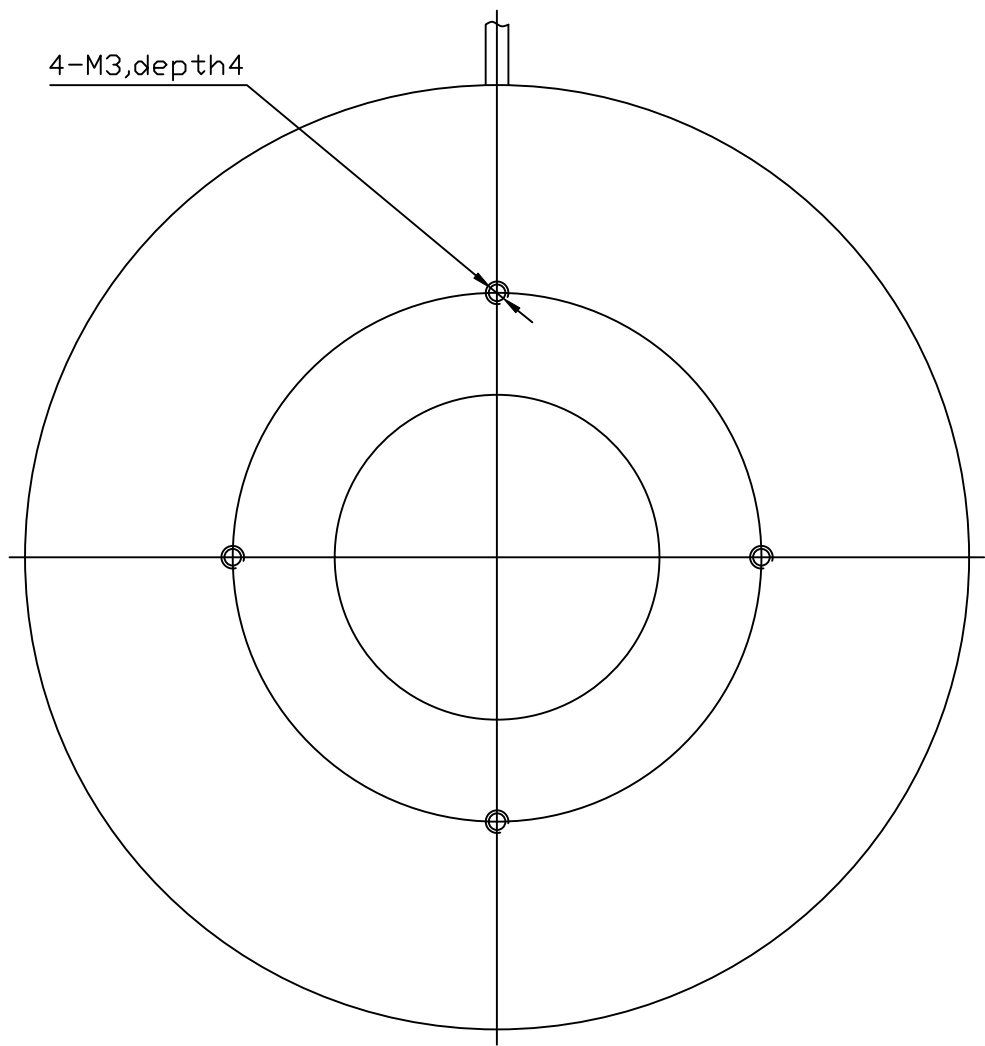
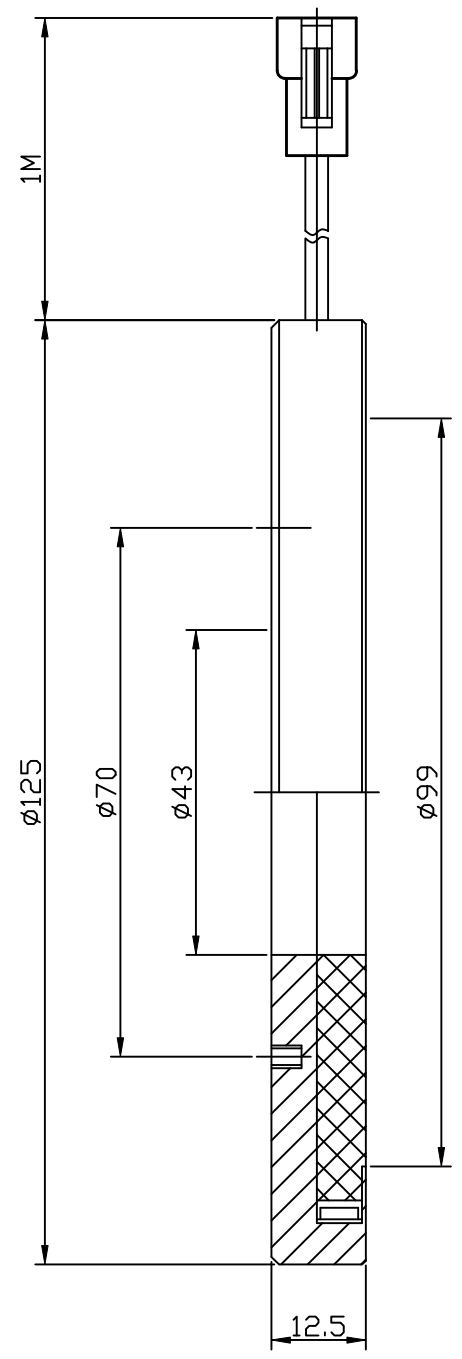
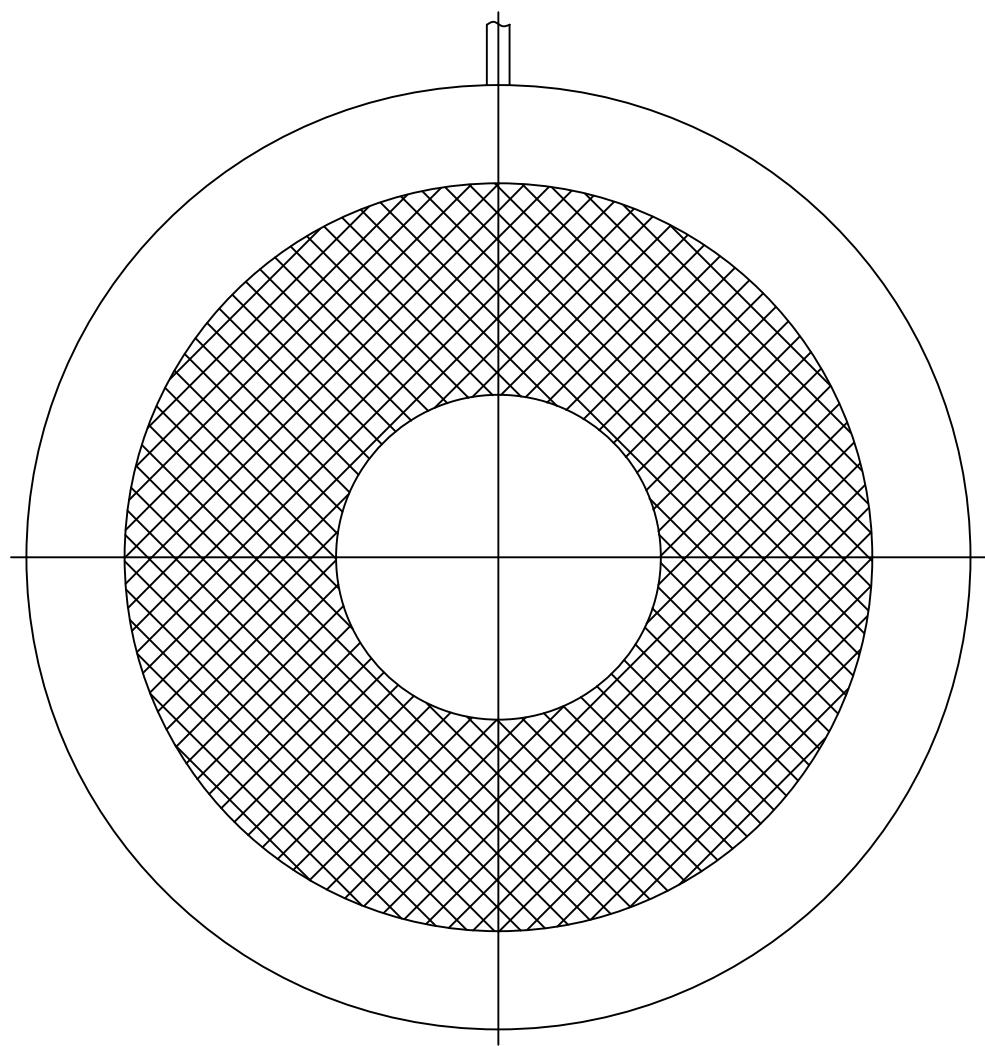
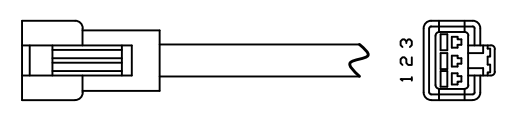


A  
B  
C  
D  
E  
F

A  
B  
C  
D  
E  
F

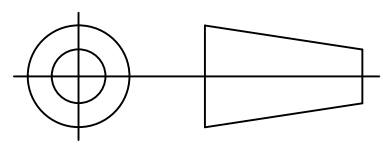
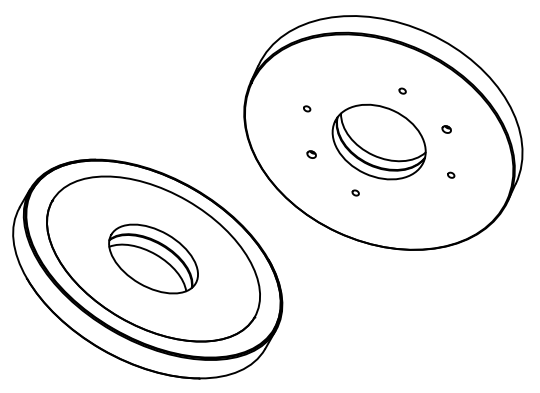


Details of Connector



Pin1: + (Red)  
Pin2: N/A  
Pin3: - (Blue)

Connector Type: SMR-03V-B (Light Side)  
SMP-03V-BC (Power Supply Side)



Specification:

|                |                        |                     |
|----------------|------------------------|---------------------|
| MODEL          | WLFR2-130A-W/-B/-G/-UV | -Y/-R/-IR850/-IR940 |
| Wavelength(nm) | 6500K/470/525/390      | 590/625/850/940     |
| Power Supply   | DC24V/3.8(W)           | DC24V/2.9(W)        |
| Weight         | 250g                   |                     |

|                            |                          |                                |                        |                    |              |
|----------------------------|--------------------------|--------------------------------|------------------------|--------------------|--------------|
| Itemref                    | Quantity                 | Material: AL                   | Article No./Reference  |                    |              |
| Designed by<br>DESIGNED_BY | Checked by<br>CHECKED_BY | Approved by - date<br>2014-1-1 | Filename<br>WLFR2-130A | Date<br>2014-1-1   | Scale<br>1/1 |
| WAVECREST(SH)              |                          |                                | WLFR2-130A-USER        |                    |              |
|                            |                          |                                | WLFR2-130A-0000        | Edition<br>VER.1.0 | Sheet<br>1   |