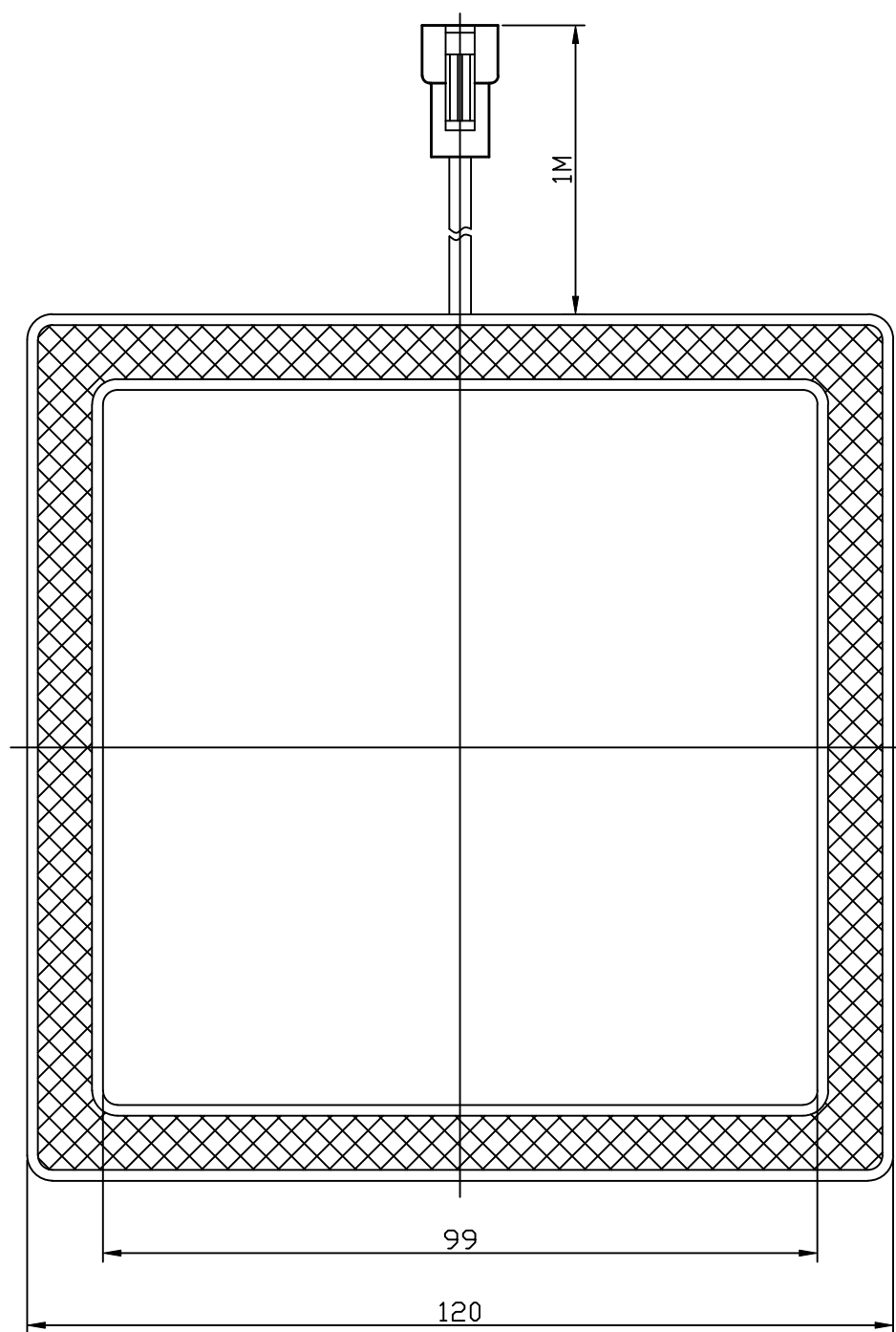
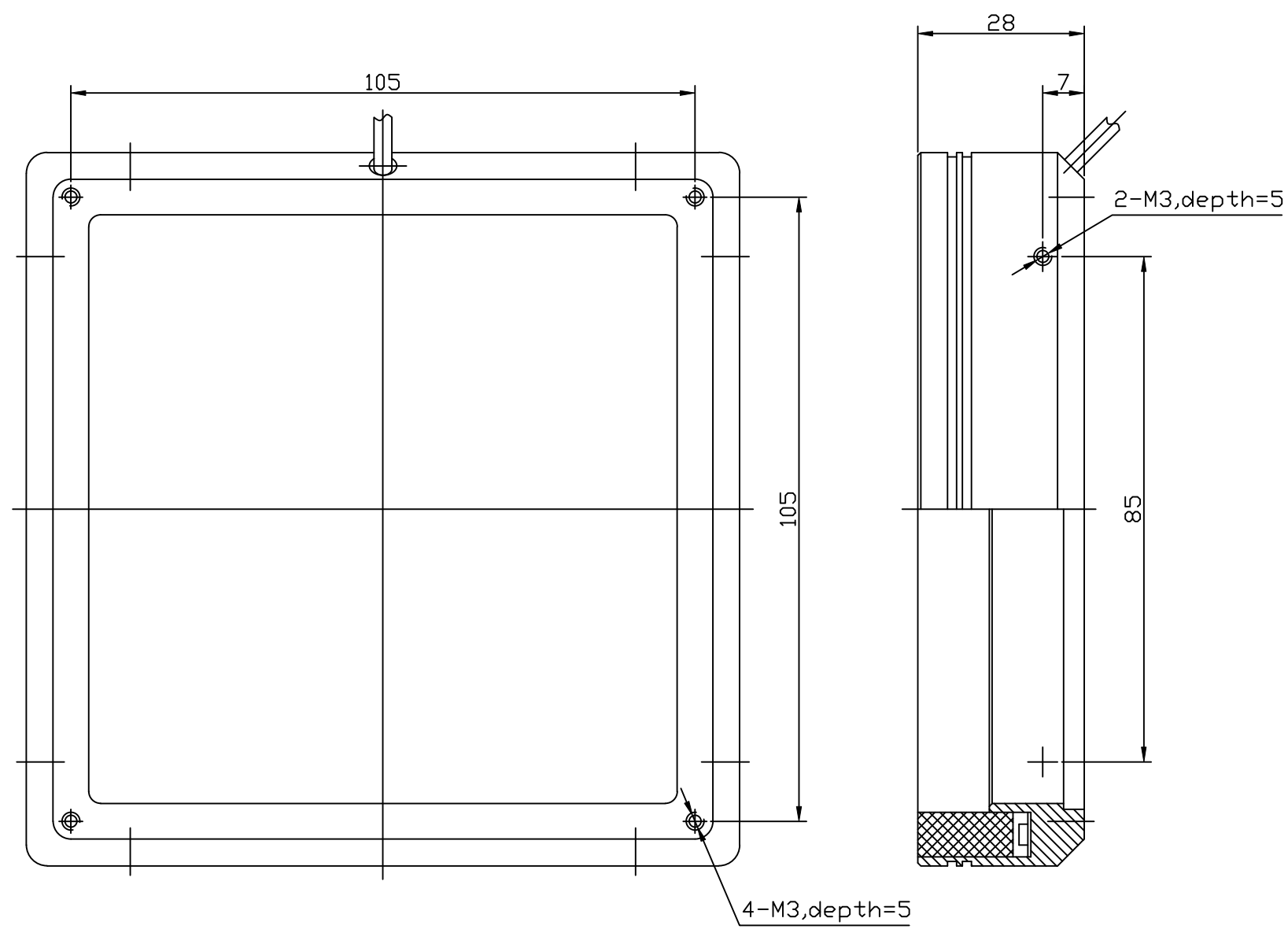
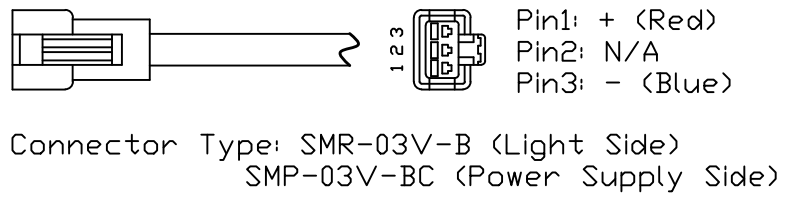


A
B
C
D
E
F

A
B
C
D
E
F

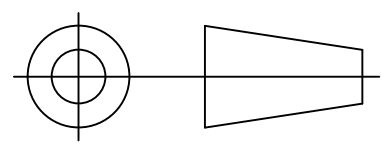
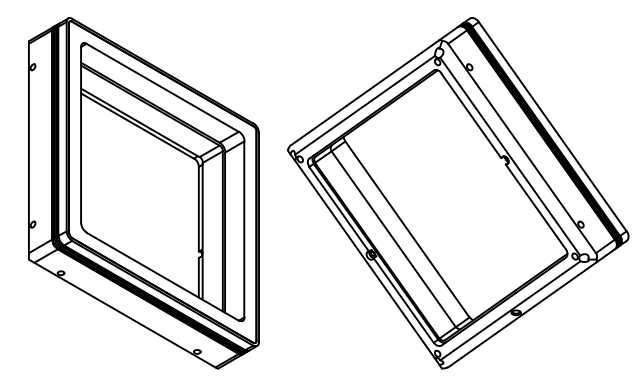


Details of Connector



Specification:

MODEL	WLFL2-SQ120-W/-B/-G/-UV	-Y/-R/-IR850/-IR940
Wavelength(nm)	6500K/470/525/390	590/625/850/940
Power Supply	DC24V/10.4(W)	DC24V/6.9(W)
Weight	222g	



Itemref	Quantity	Material:	Article No./Reference		
Designed by DESIGNED_BY	Checked by CHECKED_BY	Approved by - date 2012-10-10	Filename WLFL2-SQ120	Date 2012-10-10	Scale 1/1
WAVECREST(SH)			WLFL2-SQ120-USER		
			WLFL2-SQ120-0000	Edition VER.1.0	Sheet 1