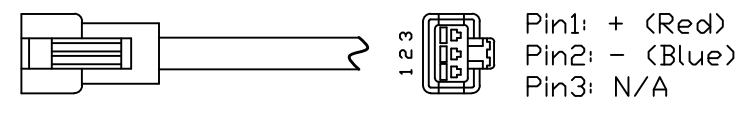


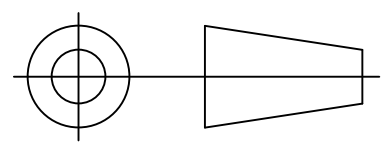
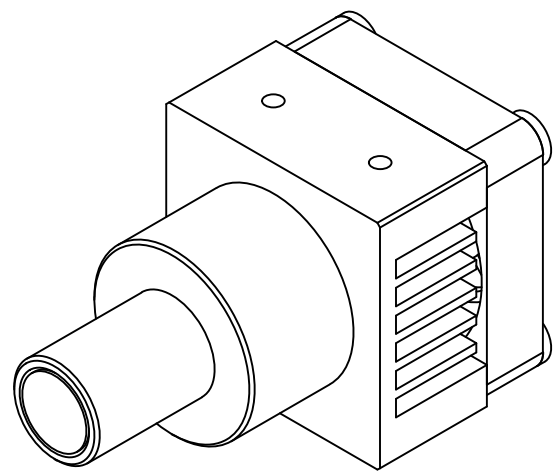
Details of Connector



Connector Type: SMR-03V-B (Light Side)
SMP-03V-BC (Power Supply Side)

Specification:

MODEL	WMH2-16-W/-B/-G/-UV	-Y/-R/-IR850/-IR940
Wavelength(nm)	6500K/470/525/390	590/625/850/940
Power Supply	DC5V3000mA/16.5(W)	
Weight	145g	



Itemref	Quantity	Material: AL	Article No./Reference		
Designed by DESIGNED_BY	Checked by CHECKED_BY	Approved by - date 2014-1-1	Filename WMH2-16	Date 2014-1-1	Scale 1/1
WAVECREST(SH)			WMH2-16-USER		
			WMH2-16-0000	Edition VER.1.0	Sheet 1