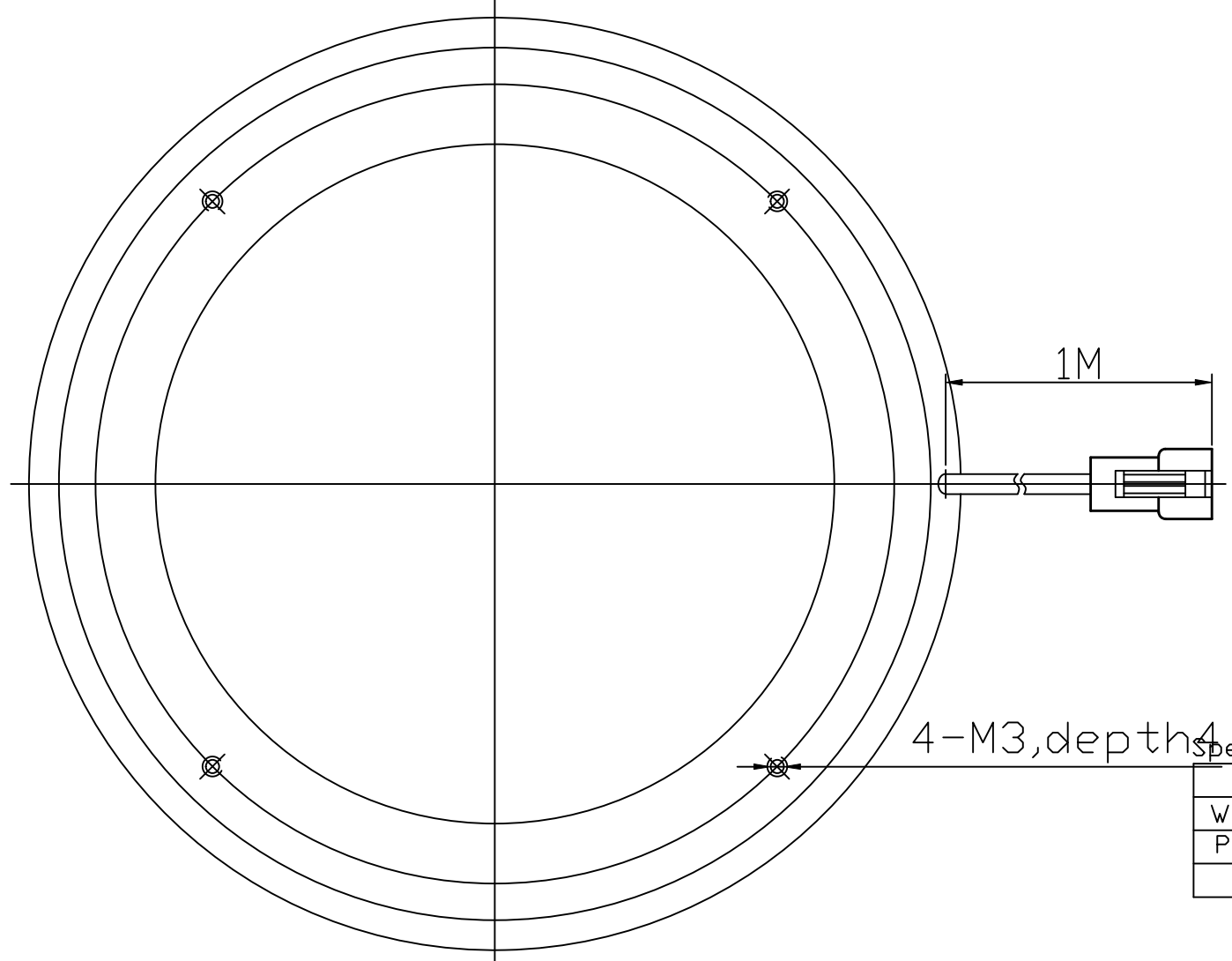
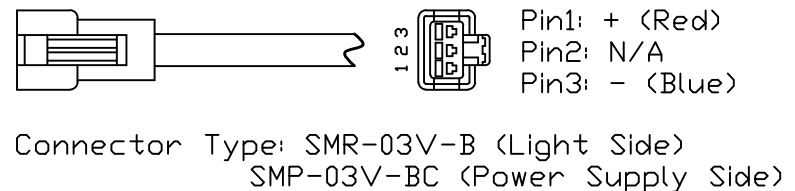


A
B
C
D
E
F

A
B
C
D
E
F



Details of Connector



Specification:

MODEL	WLFR2-60LA140-W/-B/-G/-UV	-Y/-R/-IR850/-IR940
Wavelength(nm)	6500K/470/525/390	590/625/850/940
Power Supply	DC24V/10.8(W)	DC24V/7.2(W)
Weight	320g	

Itemref	Quantity	Material: AL	Article No./Reference		
Designed by DESIGNED_BY	Checked by CHECKED_BY	Approved by - date 2014-08-07	Filename FR2-60LA140	Date 2014-08-07	Scale 1/1
WAVECREST(SH)			WLFR2-60LA140-USER		
			WLFR2-60LA140-0000	Edition VER.1.0	Sheet 1