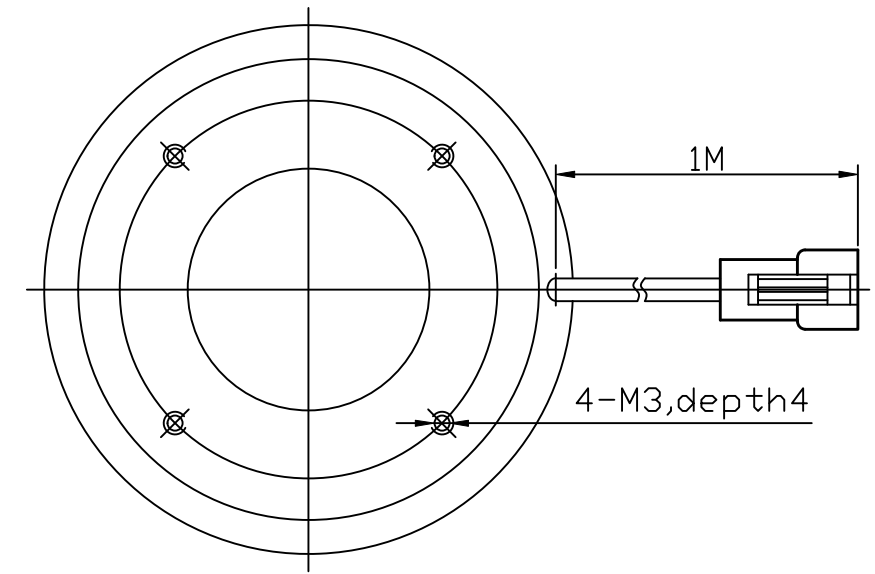
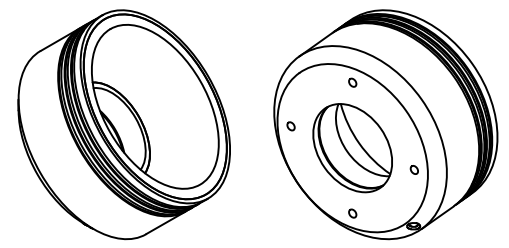
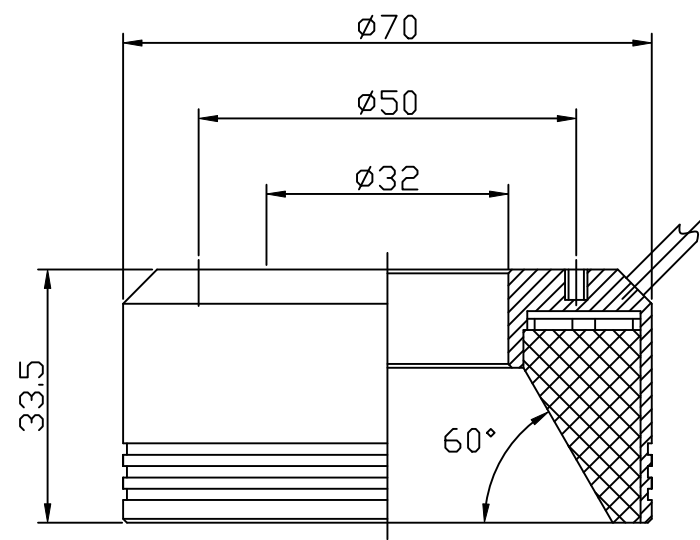
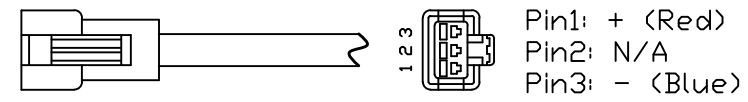


A  
B  
C  
D  
E  
F

A  
B  
C  
D  
E  
F



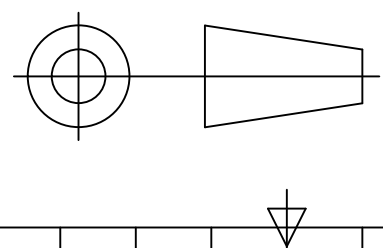
Details of Connector



Connector Type: SMR-03V-B (Light Side)  
SMP-03V-BC (Power Supply Side)

Specification:

MODEL	WLFR2-60LA70-W/-B/-G/-UV	-Y/-R/-IR850/-IR940
Wavelength(nm)	6500K/470/525/390	590/625/850/940
Power Supply	DC24V/4.3(W)	DC24V/2.9(W)
Weight	136g	



Itemref	Quantity	Material: AL	Article No./Reference		
Designed by DESIGNED_BY	Checked by CHECKED_BY	Approved by - date 2013-11-25	Filename WLFR2-60LA70	Date 2013-11-25	Scale 1/1
WAVECREST(SH)			WLFR2-60LA70-USER		
			WLFR2-60LA70-0000	Edition VER.1.0	Sheet 1