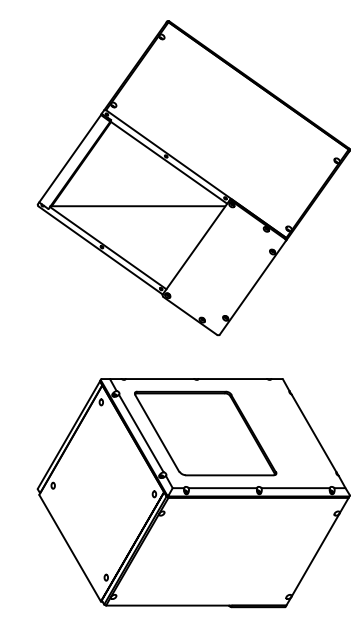
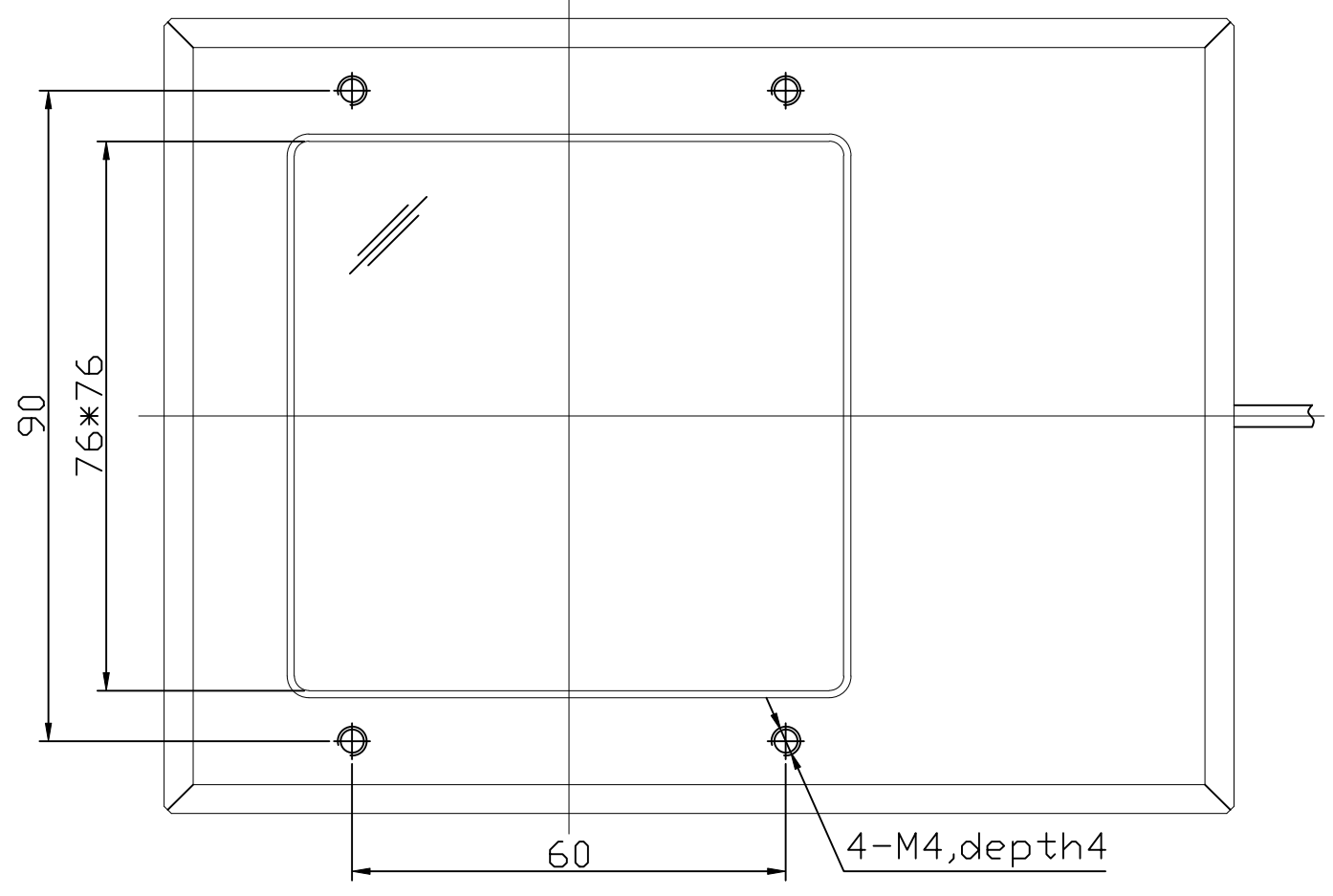
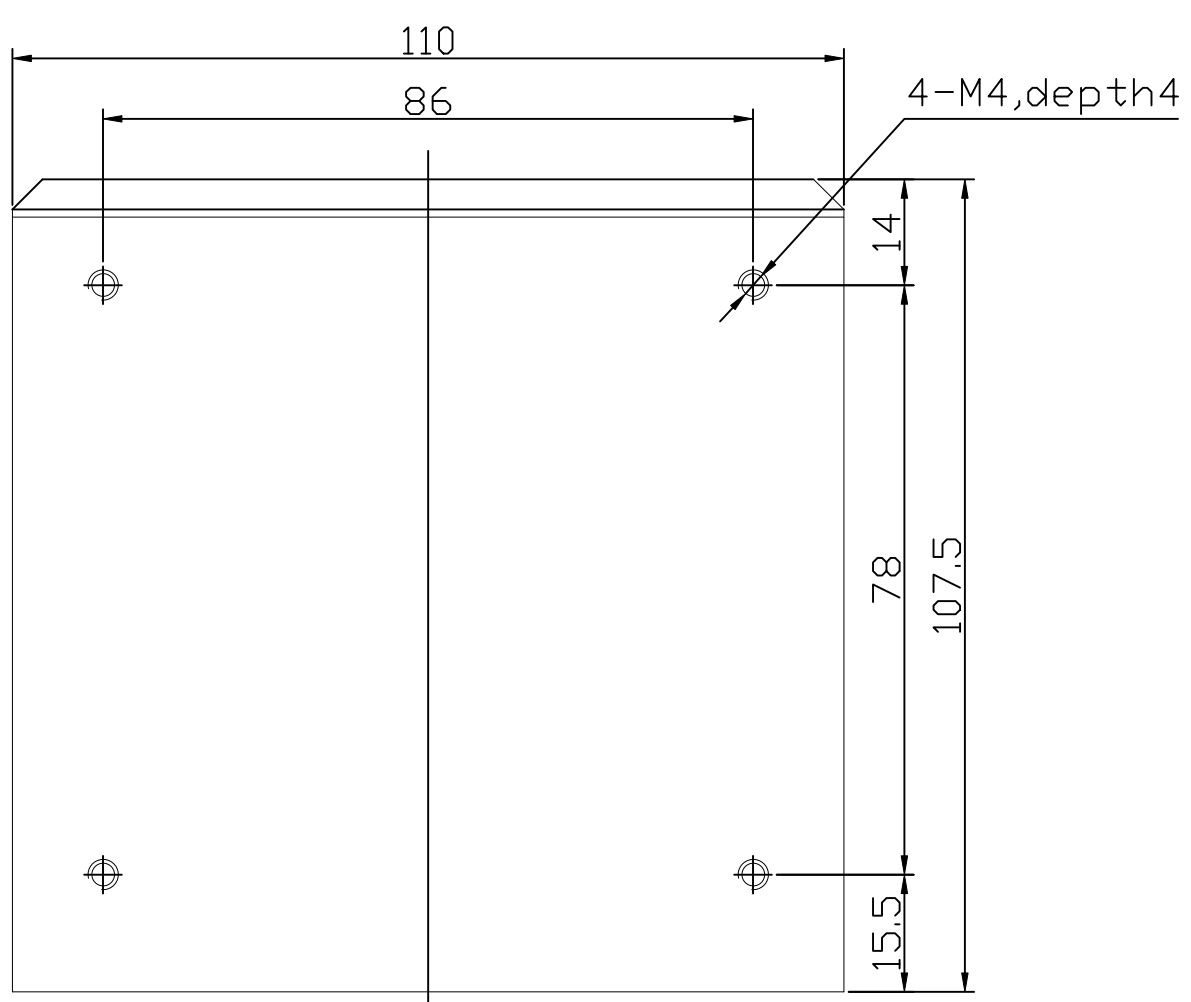
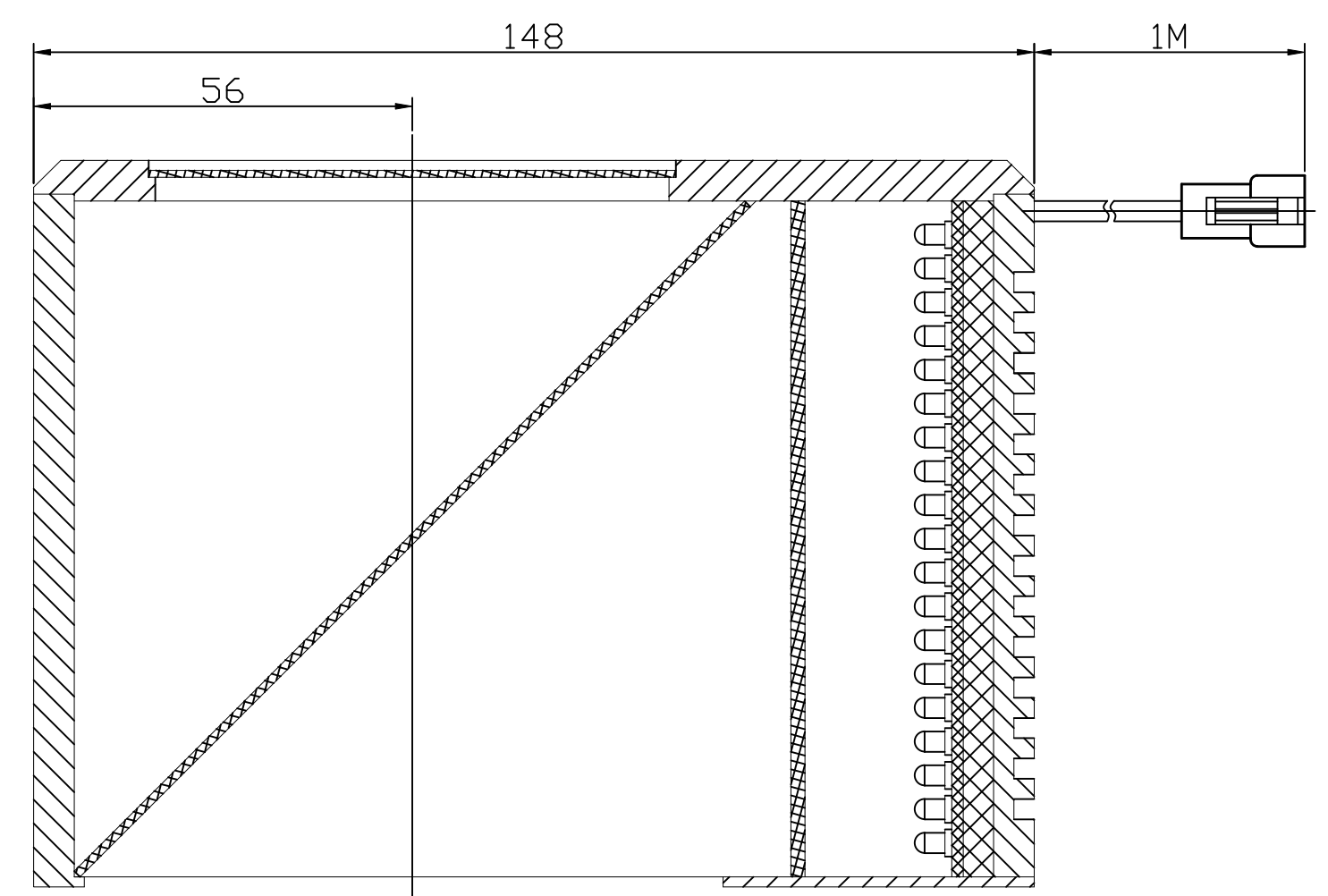
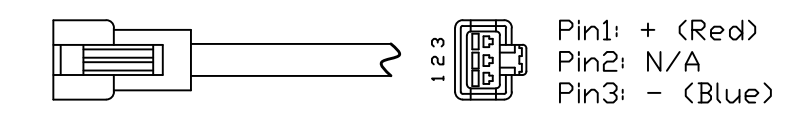


1 2 3 4 5 6 7 8

A B C D E F G H



Details of Connector

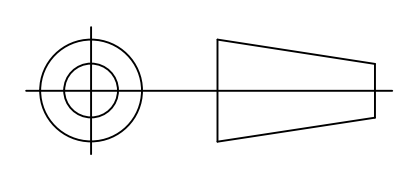


Connector Type: SMP-03V-B (Light Side)
SMP-03V-BC (Power Supply Side)

Specification:

MODEL	WLFV-100-W/-B/-G/-UV	-Y/-R/-IR850/-IR940
Wavelength(nm)	6500K/470/525/390	590/625/850/940
Power Supply	DC24V/17.3(W)	DC24V/11.5(W)
Weight	1060g	

Itemref	Quantity	Material: AL	Article No./Reference		
DESIGNED_BY	CHECKED_BY	Approved by - date	Filename	Date	Scale
		2013-04-11	WLFV-100	2013-04-11	1/1
WAVECREST(SH)			WLFV-100-USER		
			WLFV-100-0000	Edition VER.1.0	Sheet 1



1 2 3 4 5 6 7 8

H