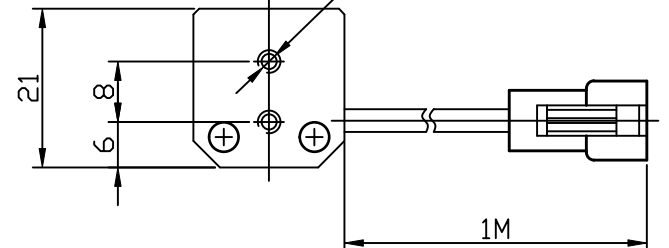


2-M3 NUT

2-M2,depth4

310

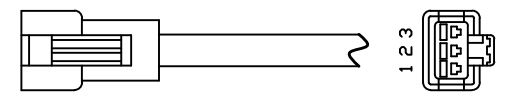
300



15

20

Details of Connector

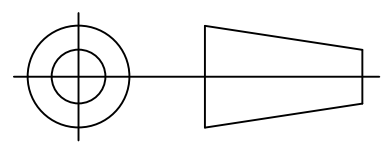
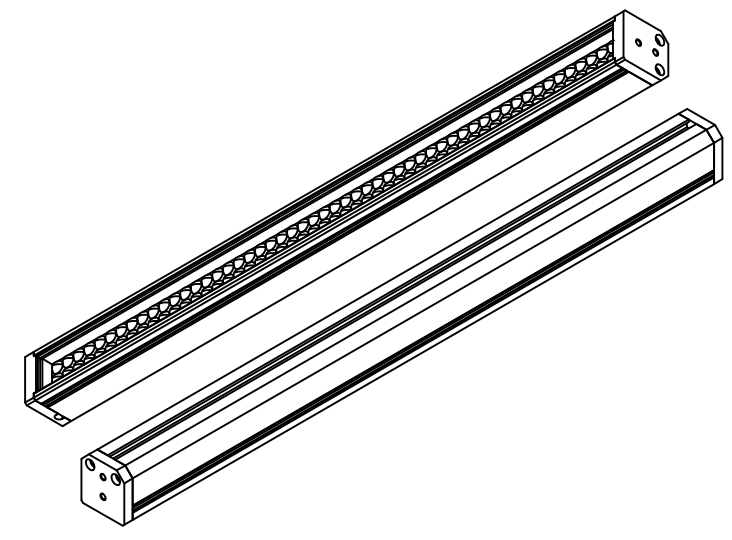


Pin1: + (Red)  
Pin2: N/A  
Pin3: - (Blue)

Connector Type: SMR-03V-B (Light Side)  
SMP-03V-BC (Power Supply Side)

Specification:

|                |                         |                     |
|----------------|-------------------------|---------------------|
| MODEL          | WLDL-300L15-W/-B/-G/-UV | -Y/-R/-IR850/-IR940 |
| Wavelength(nm) | 6500K/470/525/390       | 590/625/850/940     |
| Power Supply   | DC24V/14.4(W)           | DC24V/9.6(W)        |
| Weight         | 175g                    |                     |



|                         |                     |                                    |                         |                      |              |
|-------------------------|---------------------|------------------------------------|-------------------------|----------------------|--------------|
| Itemref                 | Quantity            | Material: AL                       | Article No./Reference   |                      |              |
| Designed by<br>Y.KOTANI | Checked by<br>T.ONO | Approved by - date<br>JULY-20,2014 | Filename<br>WLDL-300L15 | Date<br>JULY-20,2014 | Scale<br>1/1 |
| WAVECREST(SH)           |                     |                                    | WLDL-300L15-USER        |                      |              |
|                         |                     |                                    | WLDL-300L15-0000        | Edition<br>VER.1.0   | Sheet<br>1   |