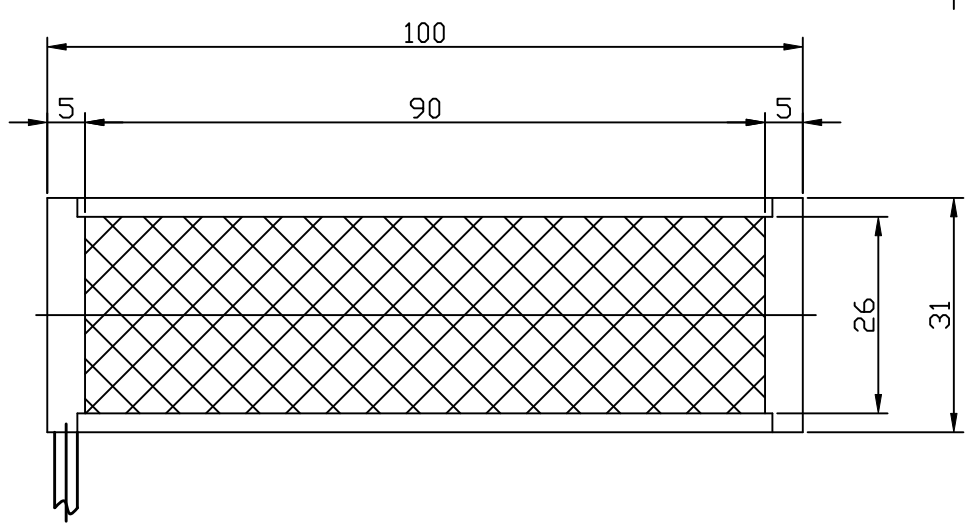
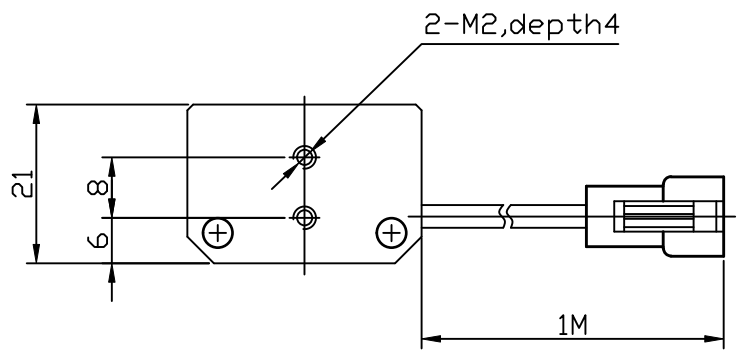
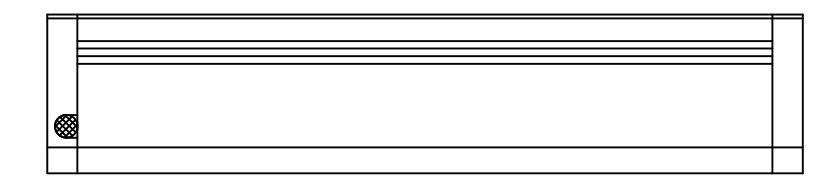
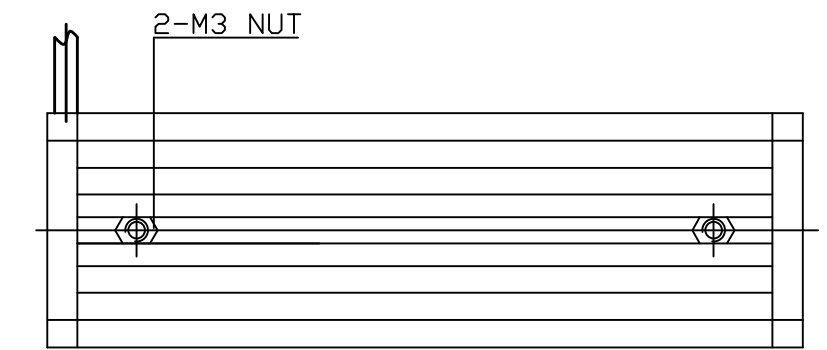
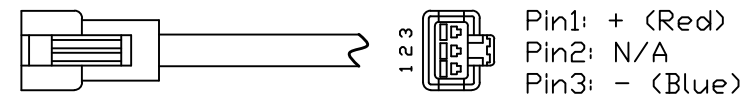


A
B
C
D
E
F



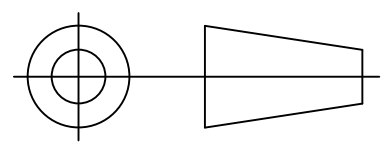
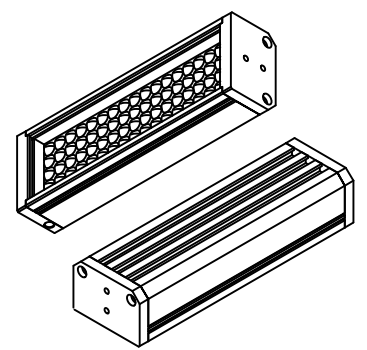
Details of Connector



Connector Type: SMR-03V-B (Light Side)
SMP-03V-BC (Power Supply Side)

Specification:

| | | |
|----------------|------------------------|---------------------|
| MODEL | WLDL-90L26-W/-B/-G/-UV | -Y/-R/-IR850/-IR940 |
| Wavelength(nm) | 6500K/470/525/390 | 590/625/850/940 |
| Power Supply | DC24V/6.5(W) | DC24V/4.3(W) |
| Weight | 92g | |



| | | | | | |
|-------------------------|---------------------|------------------------------------|------------------------|----------------------|--------------|
| Itemref | Quantity | Material: AL | Article No./Reference | | |
| Designed by Y.KOTANI | Checked by T.ONO | Approved by - date JULY-20,2014 | Filename WLDL-90L26 | Date JULY-20,2014 | Scale 1/1 |
| WAVECREST(SH) | | | WLDL-90L26-USER | | |
| | | | WLDL-90L26-0000 | Edition VER.1.0 | Sheet 1 |