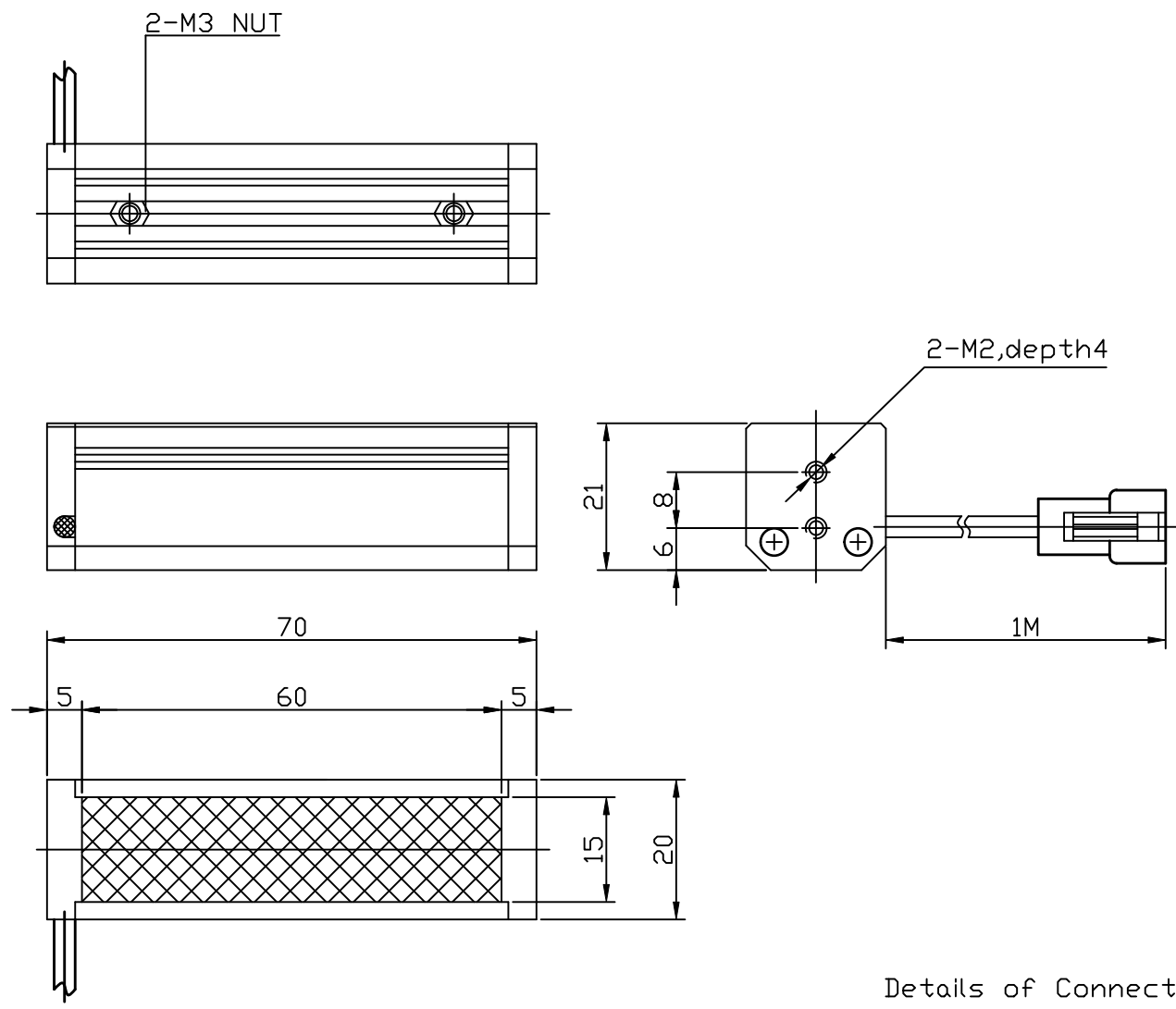
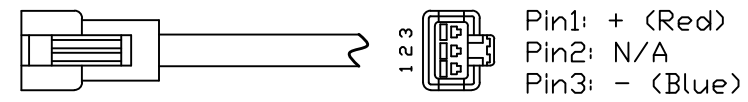


A
B
C
D
E
F



Details of Connector

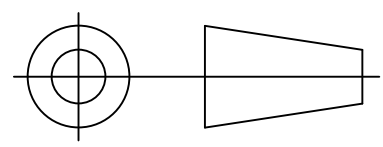
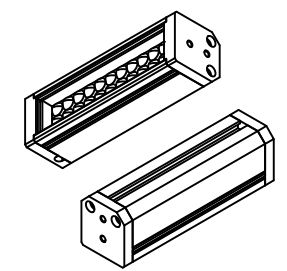


Pin1: + (Red)
Pin2: N/A
Pin3: - (Blue)

Connector Type: SMR-03V-B (Light Side)
SMP-03V-BC (Power Supply Side)

Specification:

MODEL	WLDL-60L15-W/-B/-G/-UV	-Y/-R/-IR850/-IR940
Wavelength(nm)	6500K/470/525/390	590/625/850/940
Power Supply	DC24V/2.9(W)	DC24V/1.9(W)
Weight	55g	



Itemref	Quantity	Material: AL	Article No./Reference		
Designed by Y.KOTANI	Checked by T.ONO	Approved by - date JULY-20,2014	Filename WLDL-60L15	Date JULY-20,2014	Scale 1/1
WAVECREST(SH)			WLDL-60L15-USER		
			WLDL-60L15-0000	Edition VER.1.0	Sheet 1