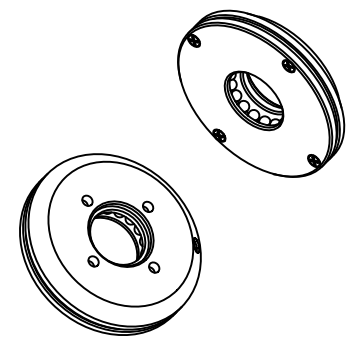
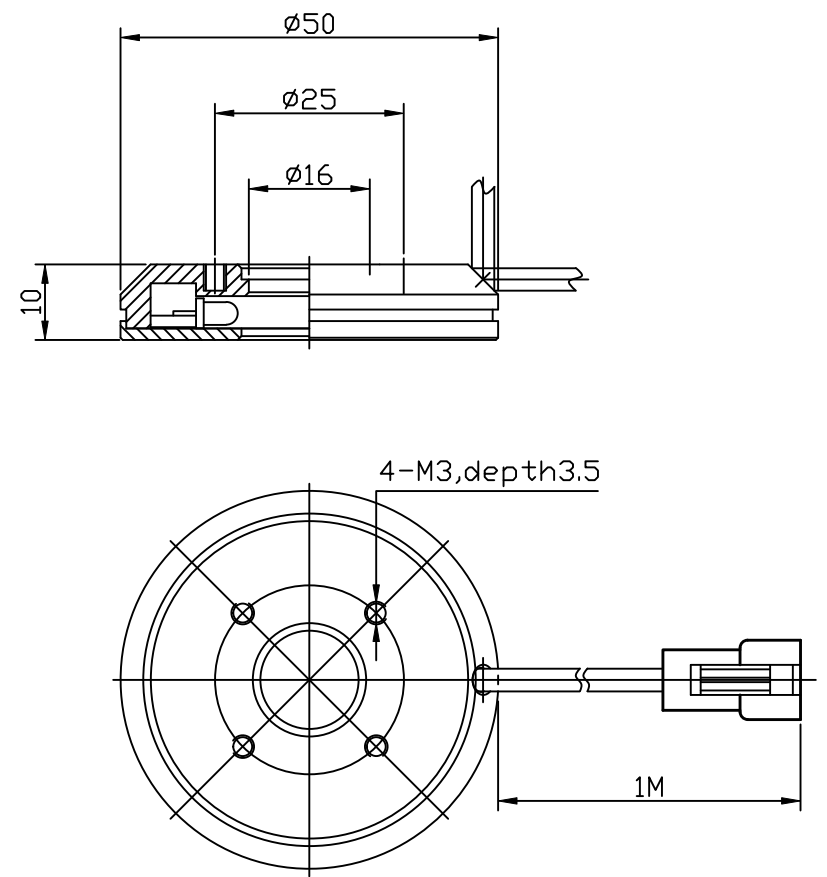
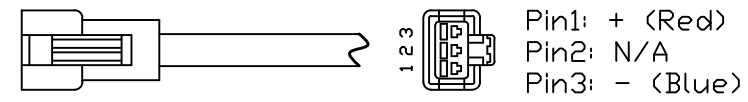


A
B
C
D
E
F

A
B
C
D
E
F



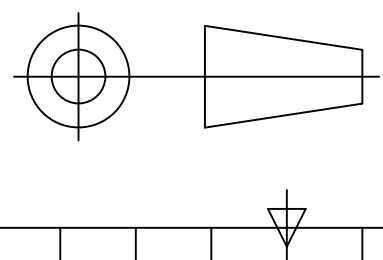
Details of Connector



Connector Type: SMR-03V-B (Light Side)
SMP-03V-BC (Power Supply Side)

Specification:

MODEL	WLDR-90AG50-W/-B/-G/-UV	-Y/-R/-IR850/-IR940
Wavelength(nm)	6500K/470/525/390	590/625/850/940
Power Supply	DC24V/1.1(W)	DC24V/0.7(W)
Weight	50g	



Itemref	Quantity	Material:	Article No./Reference		
Designed by Y.KOTANI	Checked by T.ONO	Approved by - date 2016-5-6	Filename WLDR-90AG50	Date 2016-5-6	Scale 1/1
WAVECREST(SH)			WLDR-90AG50-USER		
			WLDR-90AG50-0000	Edition VER.1.0	Sheet 1