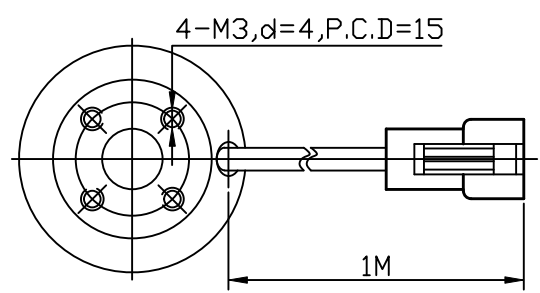
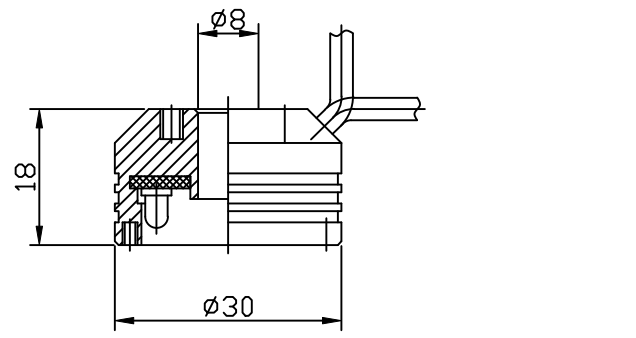
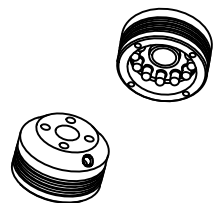
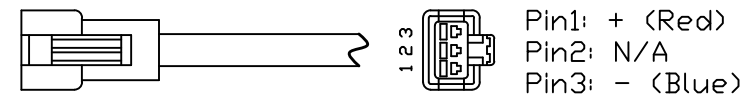


A  
B  
C  
D  
E  
F

A  
B  
C  
D  
E  
F



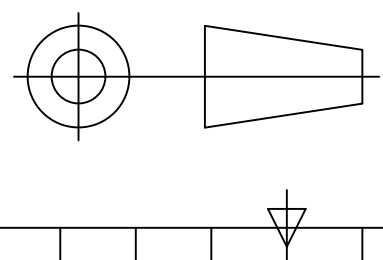
Details of Connector



Connector Type: SMR-03V-B (Light Side)  
SMP-03V-BC (Power Supply Side)

Specification:

MODEL	WLDR-00AG30-W/-B/-G/-UV	-Y/-R/-IR850/-IR940
Wavelength(nm)	6500K/470/525/390	590/625/850/940
Power Supply	DC24V/0.7(W)	DC24V/0.5(W)
Weight	35g	



Itemref	Quantity	Material: AL	Article No./Reference		
Designed by DESIGNED_BY	Checked by CHECKED_BY	Approved by - date 2014-09-10	Filename WLDR-00AG30	Date 2014-09-10	Scale 1/1
WAVECREST(SH)			WLDR-00AG30-USER		
			WLDR-00AG30-0000	Edition VER.1.0	Sheet 1