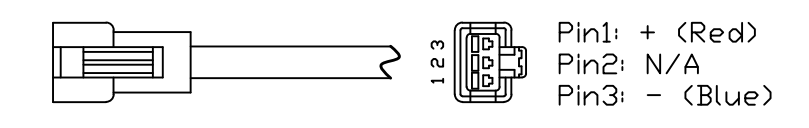


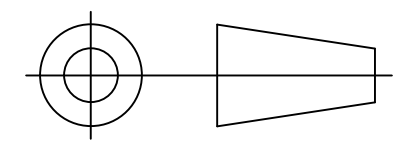
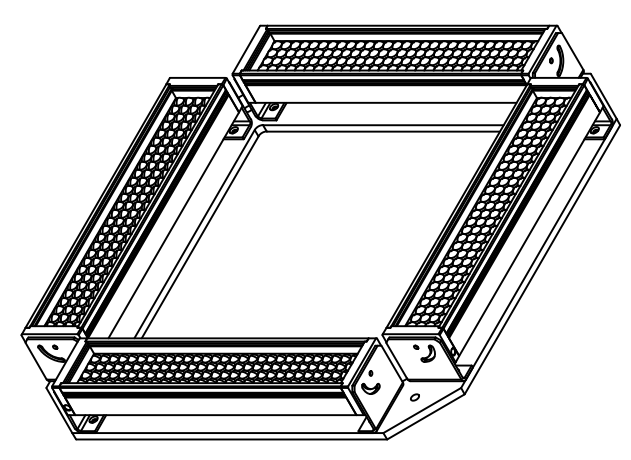
Details of Connector



Connector Type: SMR-03V-B (Light Side)  
SMP-03V-BC (Power Supply Side)

Specification:

MODEL	WLDL-C90L26-W/-B/-G/-UV	-Y/-R/-IR850/-IR940
Wavelength(nm)	6500K/470/525/390	590/625/850/940
Power Supply	DC24V/26.0(W)	DC24V/17.2(W)
Weight	567g	



Itemref	Quantity	Material: AL	Article No./Reference		
Designed by	Checked by	Approved by - date	Filename	Date	Scale
DESIGNED_BY	CHECKED_BY	2014-1-1	WLDL-C90L26	2014-1-1	1/1
WAVECREST(SH)			WLDL-C90L26-U		
			WLDL-C90L26-0000	Edition VER.1.0	Sheet 1