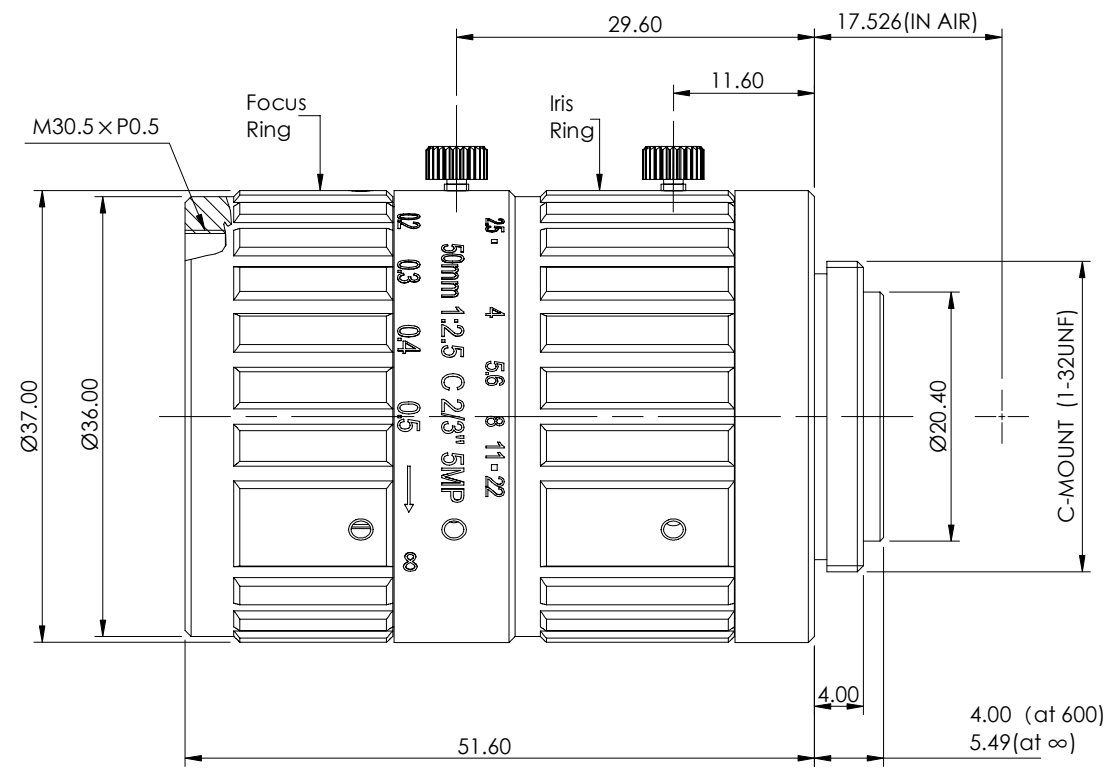


A		B	C	D
Optical Specification				Unit:mm
Model	C5025-5M-V1.1			
Resolution	3.45μm			
Mount	C Mount			
Sensor	2/3"			
Focal Length(mm)	50			
Adjustion Type	Manual			
F NO.	F2.5-F22			
Working Distandce(mm)	600~∞			
Field Angle	1/3" (H×V×D)	5.3° × 3.9° × 6.6°		
	1/2.5" (H×V×D)	6.2° × 4.6° × 7.7°		
	1/1.8" (H×V×D)	7.9° × 5.9° × 9.8°		
	2/3" (H×V×D)	9.1° × 7.7° × 12.0°		
Distortion	< 0.05%			
Weight	0.11kg			
Back Focal Length(mm)	13.19			
Size(mm)	Ø37.00×51.60			
Filter(mm)	M30.5×P0.5			
Working Temperature	-20℃~+60℃			



View Angle		Remark
IT14		
Drawing Code	A	

Item	Signature	Date
Drawing		
Design		
Check		
Approve		
Paper Size	A4	
Revised Date	2020-12-08	

C5025-5M-V1.1			
Page	1/1 Total Page	Version	A01