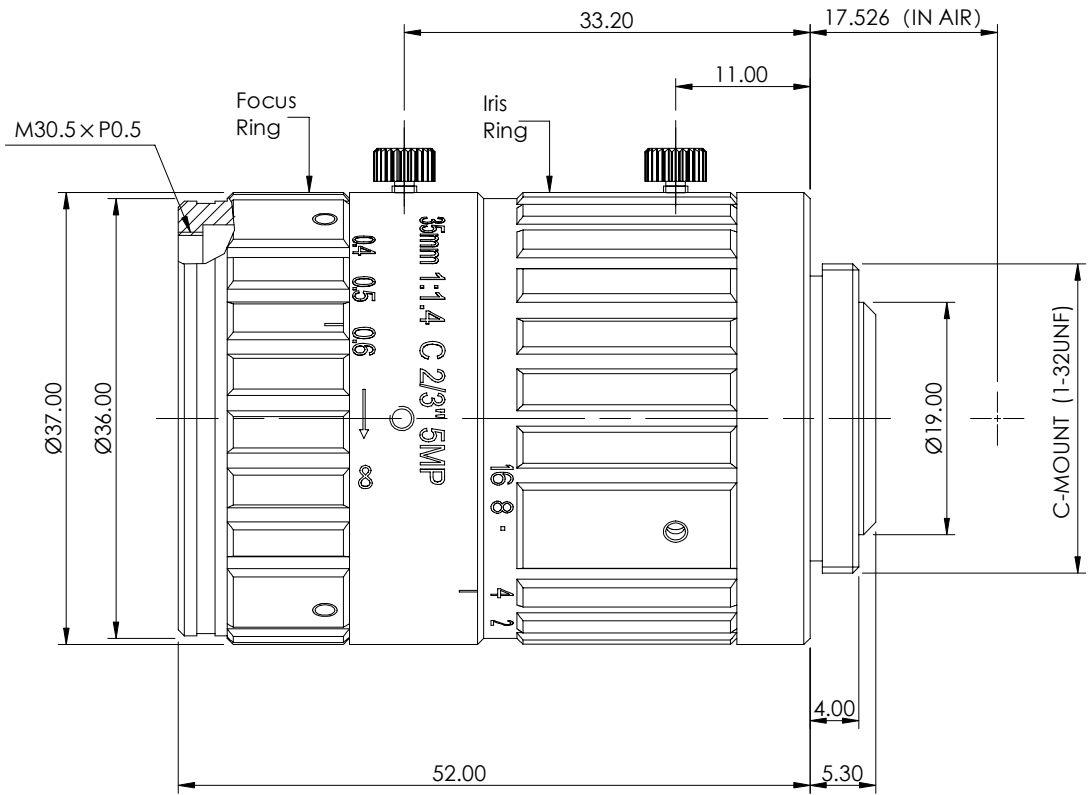


A		B	C	D
Optical Specification		Unit:mm		
Model	C3514-5M-V1.1			
Resolution	3.45μm			
Mount	C Mount			
Sensor	2/3"			
Focal Length(mm)	35			
Adjustion Type	Manual			
F NO.	F1.4-F16			
Working Distance(mm)	390~∞			
Field Angle	1/3" (H×V×D)	7.7° × 5.9° × 9.7°		
	1/2.5" (H×V×D)	9.3° × 7.0° × 11.6°		
	1/1.8" (H×V×D)	11.6° × 8.9° × 14.5°		
	2/3" (H×V×D)	13.7° × 11.4° × 17.8°		
Distortion	< 0.1%			
Weight	0.13kg			
Back Focal Length(mm)	12.75			
Size(mm)	Ø37.00 × 52.00			
Filter(mm)	M30.5 × P0.5			
Working Temperature	-20℃~+60℃			



View Angle		Remark
	Standard Difference	
	IT14	
Drawing Code	A	

Item	Signature	Date
Drawing		
Design		
Check		
Approve		
Paper Size	A4	
Revised Date	2020-12-08	Scale

C3514-5M-V1.1		Page	1/1 Total Page	Version	A01
---------------	--	------	----------------	---------	-----