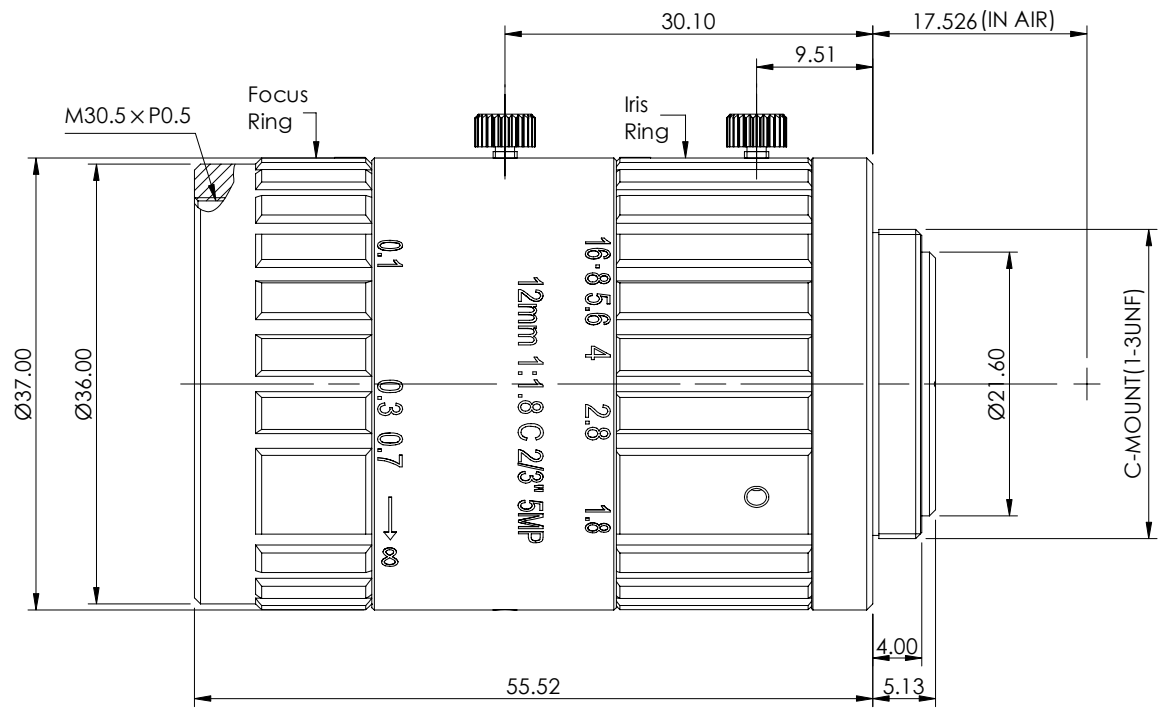


A		B	C	D
Optical Specification				Unit:mm
Model	C1218-5M-V3.0			
Resolution	3.45μm			
Mount	C Mount			
Sensor	2/3"			
Focal Length(mm)	12			
Adjustion Type	Manual			
F NO.	F1.8-F16			
Working Distalce(mm)	100~∞			
Field Angle	1/3" (H×V×D)	23.0° × 17.3° × 28.6°		
	1/2.5" (H×V×D)	27.4° × 20.7° × 33.9°		
	1/1.8" (H×V×D)	34.1° × 25.8° × 41.8°		
	2/3" (H×V×D)	40.1° × 33.9° × 50.9°		
Distortion	< 0.25%			
Weight	0.13kg			
Back Focal Length(mm)	13.39			
Size(mm)	Ø37.00×55.52			
Filter(mm)	M30.5×P0.5			
Working Temperature	-20℃~+60℃			



View Angle		Remark	Item	Signature	Date	C1218-5M-V3.0						
	Standard Difference		Drawing									
IT14		Design										
		Check										
		Approve										
Drawing Code	A	Paper Size	A4		Revised Date	2020-12-08	Scale		Page	1/1 Total Page	Version	A01

View Angle		Remark	Item	Signature	Date	C1218-5M-V3.0						
Standard Difference			Drawing									
IT14		Design										
		Check										
		Approve										
Drawing Code	A	Paper Size	A4		Revised Date	2020-12-08	Scale		Page	1/1 Total Page	Version	A01