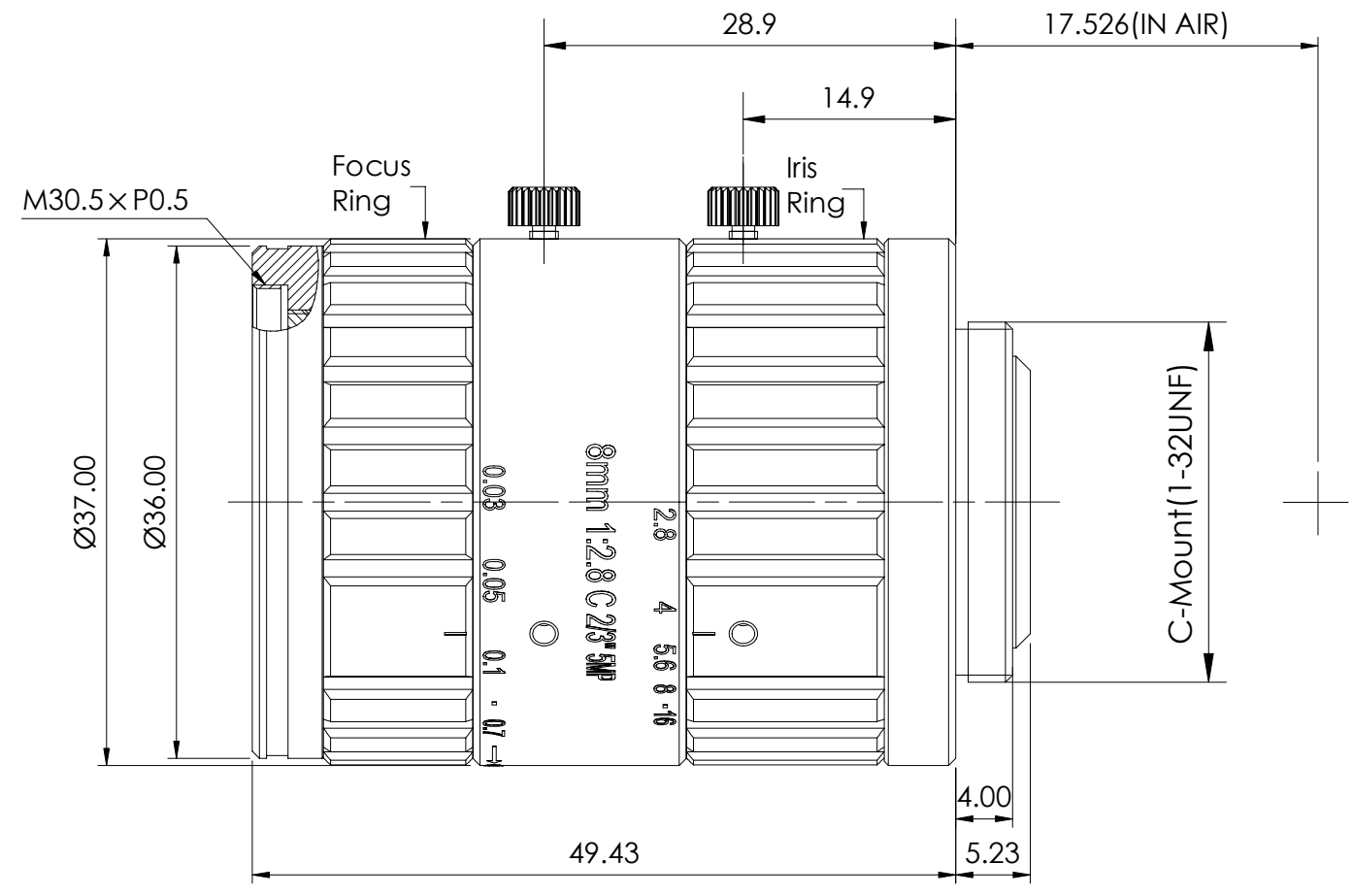


A B C D

Optical Specification		
Model	C0828-5M-V5.0	
Resolution	3.45μm	
Mount	C Mount	
Sensor	2/3"	
Focal Length(mm)	8	
Adjustion Type	Manual	
F NO.	F2.8-F16	
Working Distance(mm)	30~∞	
Field Angle	1/3" (H×V×D)	32.5° × 25.4° × 40.4°
	1/2.5" (H×V×D)	39.2° × 29.8° × 48.0°
	1/1.8" (H×V×D)	48.2° × 37.3° × 58.5°
	2/3" (H×V×D)	57.6° × 49.3° × 71.2°
Distortion	< 0.81%	
Weight	0.12kg	
Back Focal Length(mm)	13.06	
Size(mm)	Ø37.00×49.43	
Filter(mm)	M30.5×P0.5	
Working Temperature	-20℃~+60℃	

Unit:mm



View Angle		Remark	Item	Signature	Date	C0828-5M-V5.0		
	Standard Difference		Design					
IT14		Check						
	Drawing Code	Approve						
		Paper Size	A4					
	Revised Date	2020-12-08	Scale		Page		1/1 Total Page	Version

A B C D