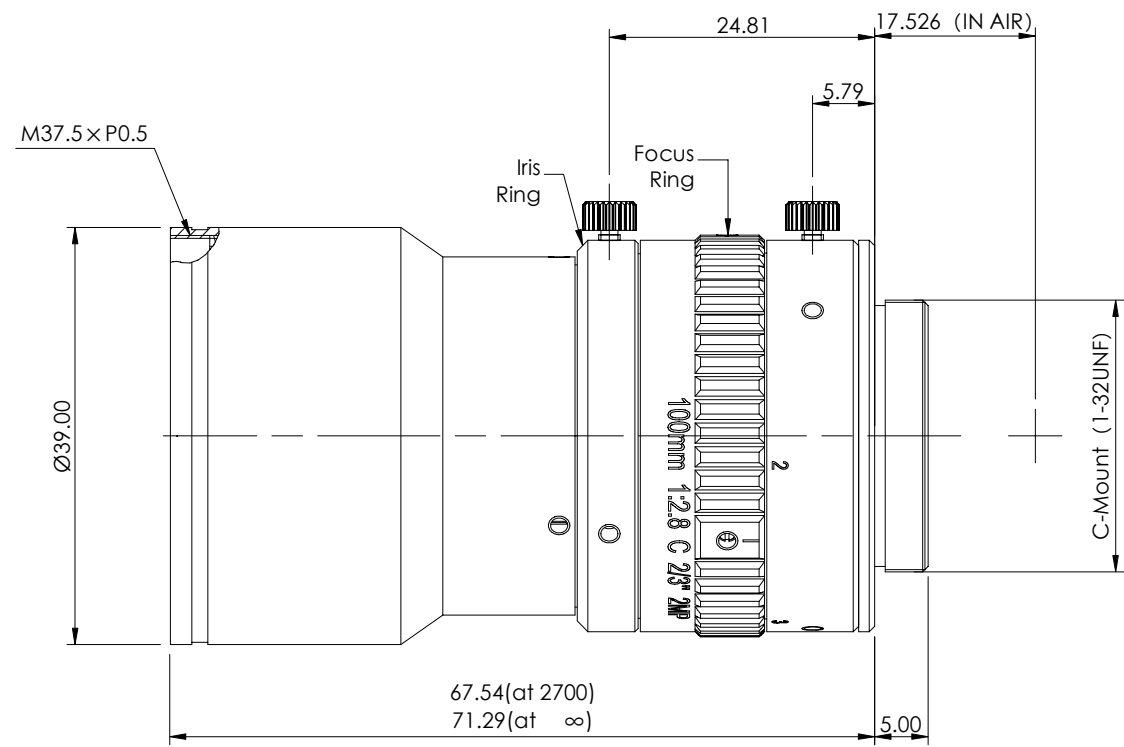


A		B	C	D
Optical Specification				
Model	C10028-2M-V1.0			
Resolution	5μm			
Mount	C Mount			
Sensor	2/3"			
Focal Length(mm)	100			
Adjustion Type	Manual			
F NO.	F2.8-F16			
Working Distance(mm)	2700~∞			
Field Angle	1/3" (H×V×D)	2.0° × 1.5° × 2.5°		
	1/2.5" (H×V×D)	2.4° × 1.8° × 3.0°		
	1/1.8" (H×V×D)	3.0° × 2.3° × 3.7°		
	2/3" (H×V×D)	3.7° × 2.8° × 4.6°		
Distortion	< 0.05%			
Weight	0.13kg			
Back Focal Length(mm)	19.95			
Size(mm)	Ø39.00×71.29			
Filter(mm)	M37.5×P0.5			
Working Temperature	-20℃~+60℃			



View Angle		Remark	Item	Signature	Date
	Standard Difference		Design		
IT14			Check		
			Approve		
			Paper Size	A4	
Drawing Code	A		Revised Date	2020-12-03	Scale

C10028-2M-V1.0	Page	1/1 Total Page	Version	A01
----------------	------	----------------	---------	-----