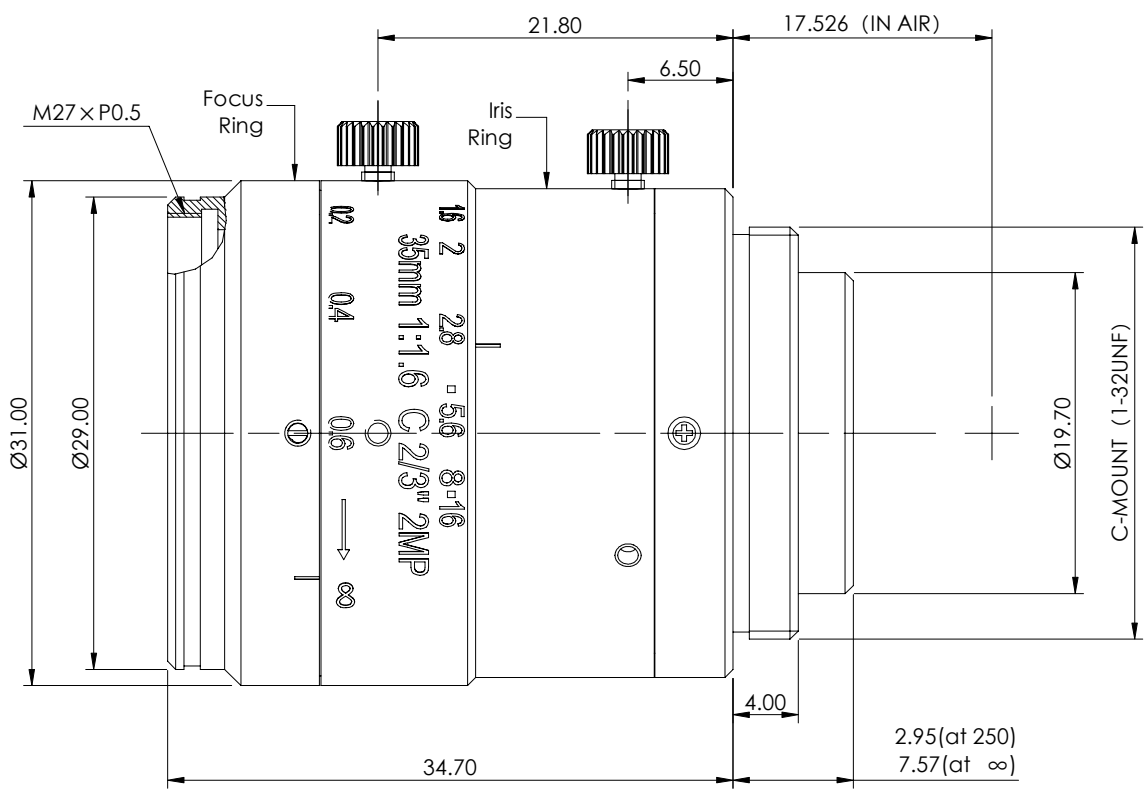


Optical Specification	
Model	C3516-2M-V1.1
Resolution	5μm
Mount	C Mount
Sensor	2/3"
Focal Length(mm)	35
Adjustion Type	Manual
F NO.	F1.6-F16
Working Distance (mm)	250~∞
Field Angle	1/3" (H×V×D) 7.3° × 6.0° × 9.4°
	1/2.5" (H×V×D) 9.6° × 7.2° × 11.9°
	1/1.8" (H×V×D) 12.0° × 9.0° × 15.0°
	2/3" (H×V×D) 14.1° × 11.8° × 18.3°
Distortion	< 0.25%
Weight	0.05kg
Back Focal Length(mm)	11.00
Size (mm)	Ø31.00×34.70
Filter(mm)	M27×P0.5
Working Temperature	-20℃~+60℃



Unit:mm

View Angle	
Standard Difference	
IT14	
Drawing Code	

Remark	Item	Signature	Date
	Drawing		
	Design		
	Check		
	Approve		
	Paper Size	A4	
	Revised Date	2020-12-03	

C3516-2M-V1.1							
				Scale			
				Page	1/1 Total Page	Version	A01